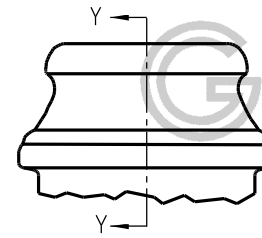
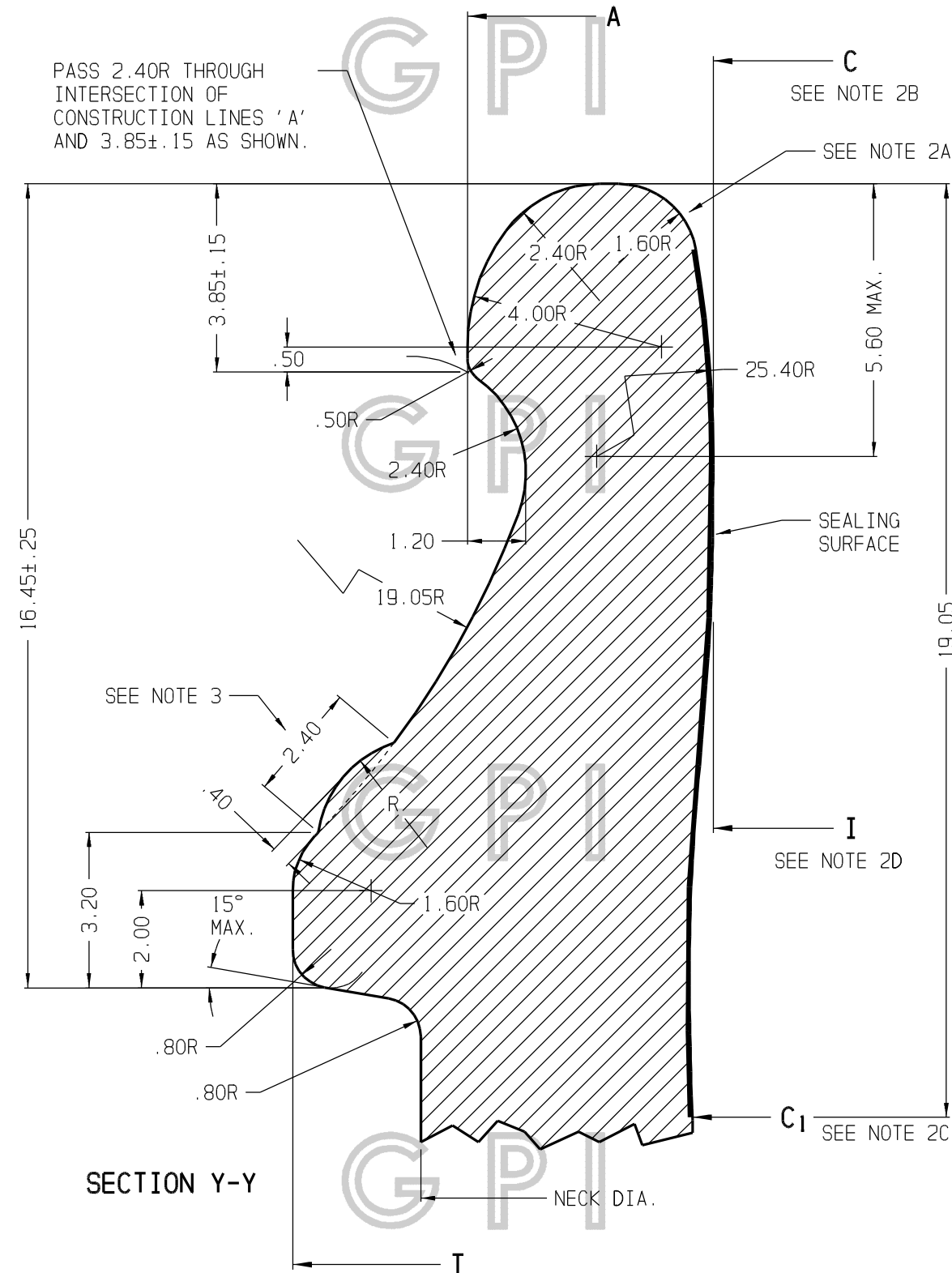


SIZE	NECK DIA.	A	T	I	C		C ₁	
					MIN.	MAX.	MIN.	MAX.
26-32	28.60	26.65 ± .35	33.80 ± .35	16.35	16.35	17.05	17.50	19.05



1. USERS ARE RESPONSIBLE FOR CHOICE AND APPLICATION OF STOPPER USED. STOPPER DIAMETER AND DESIGN MUST BE QUALIFIED BY THE USER FOR DESIRED FIT AND FUNCTION THROUGH PERFORMANCE TESTING FOR EACH STOPPER SUPPLIER USED.
2. A. THE INNER LIP CONTOUR IS SUBJECT TO NORMAL MANUFACTURING VARIATIONS.
B. 'C' DIMENSION CONTROLS OPENING TO 5.60 DOWN FROM TOP OF FINISH EXCLUDING RADIUS OR TAPER AT TOP OF OPENING. IT IS DESIRABLE FOR GOOD STOPPER FIT TO CONTROL OPENING BELOW THAT POINT TO BE EQUAL TO OR SLIGHTLY GREATER THAN SMALLEST OPENING ABOVE.
C. 'C₁' DIMENSION TO BE MEASURED AT A POINT 19.05 DOWN FROM TOP OF FINISH.
D. 'I' DIMENSION OR THROAT OPENING IS MEASURED THROUGH FULL LENGTH OF GLASS FINISH AND NECK.
3. RAISED RING TO APPEAR AROUND BEAD TO IDENTIFY AND DISTINGUISH IT FROM THE 3150 FINISH.
4. NOT RECOMMENDED FOR USE WITH CROWN CLOSURES.

THIS OFFICIAL GLASS PACKAGING INSTITUTE PRINT CONSTITUTES ONE IN A SERIES OF VOLUNTARY STANDARDS INTENDED TO PROVIDE A BASIS FOR ACHIEVING COMPATABILITY AND INTERCHANGEABILITY BETWEEN MANUFACTURERS AND USERS OF GLASS CONTAINERS AND CLOSURES THEREFOR. THE USER SHOULD BE AWARE THAT OTHER CONTAINER AND CLOSURE DESIGNS MAY DIFFER FROM THIS VOLUNTARY STANDARD, AND IT IS THE USER'S RESPONSIBILITY TO MAKE THE FINAL DETERMINATION AS TO DESIGN AND COMPATABILITY. GPI ASSUMES NO RESPONSIBILITY FOR EITHER THE USE OF OR INTERPRETATION OF THE STANDARD, FOR IT BEING CURRENT, OR FOR THE DETERMINATION WHETHER ANY PARTICULAR MANUFACTURER'S PRODUCT CONFORMS TO THE STANDARD. THIS DRAWING CONTAINS INFORMATION TAKEN FROM ONE OR MORE PRINTS OF THE GLASS PACKAGING INSTITUTE (GPI). GPI OWNS ALL RIGHT, TITLE AND INTEREST IN THE COPYRIGHTS TO THIS DRAWING AND TO THESE PRINTS. GPI REQUIRES THAT YOU NOT REPRODUCE THIS DRAWING FOR OR DISTRIBUTE THIS DRAWING TO ANY THIRD PARTY WITHOUT GPI'S WRITTEN CONSENT. ANY INQUIRIES OR SUGGESTIONS CONCERNING THIS STANDARD CAN BE ADDRESSED TO THE GLASS PACKAGING INSTITUTE, WASHINGTON D.C. AT WWW.GPI.ORG.

COPYRIGHT © GPI 1995, 1999

Edward A. Grant CHAIRMAN	PRINTED AND DISTRIBUTED AS A VOLUNTARY STANDARD BY GLASS PACKAGING INSTITUTE COMMITTEE ON DESIGN AND SPECIFICATIONS	APPROVED FOR PUBLICATION 01-15-99	SUPERSEDES DWG. NO. FM-31601
GLASS FINISH NUMBER 3160M		GPI DWG. NO.	
METRIC PLASTIC STOPPER CHAMPAGNE FINISH		FM-31602	