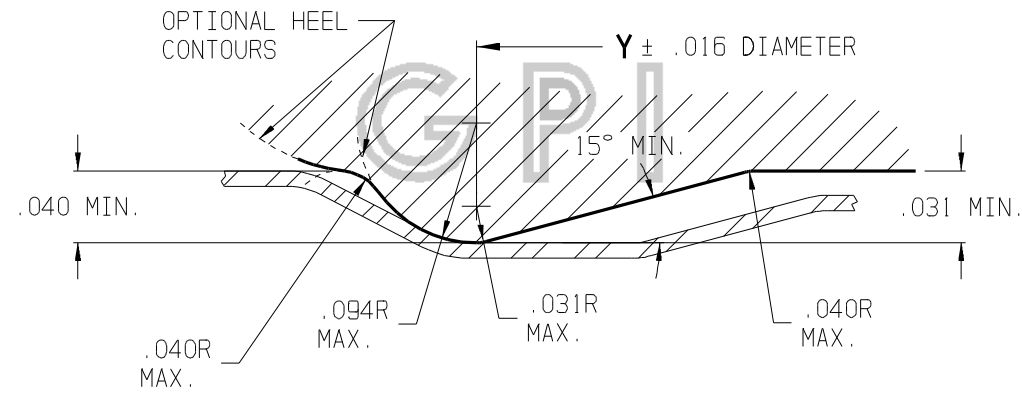
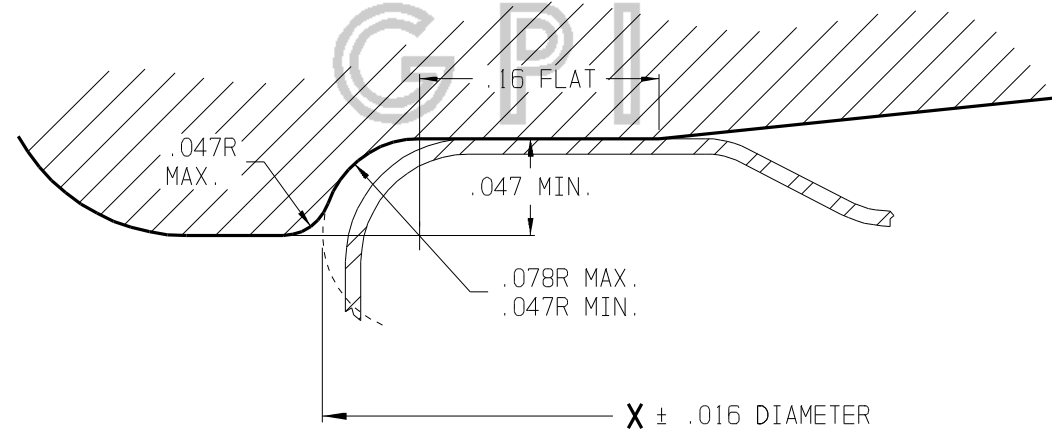


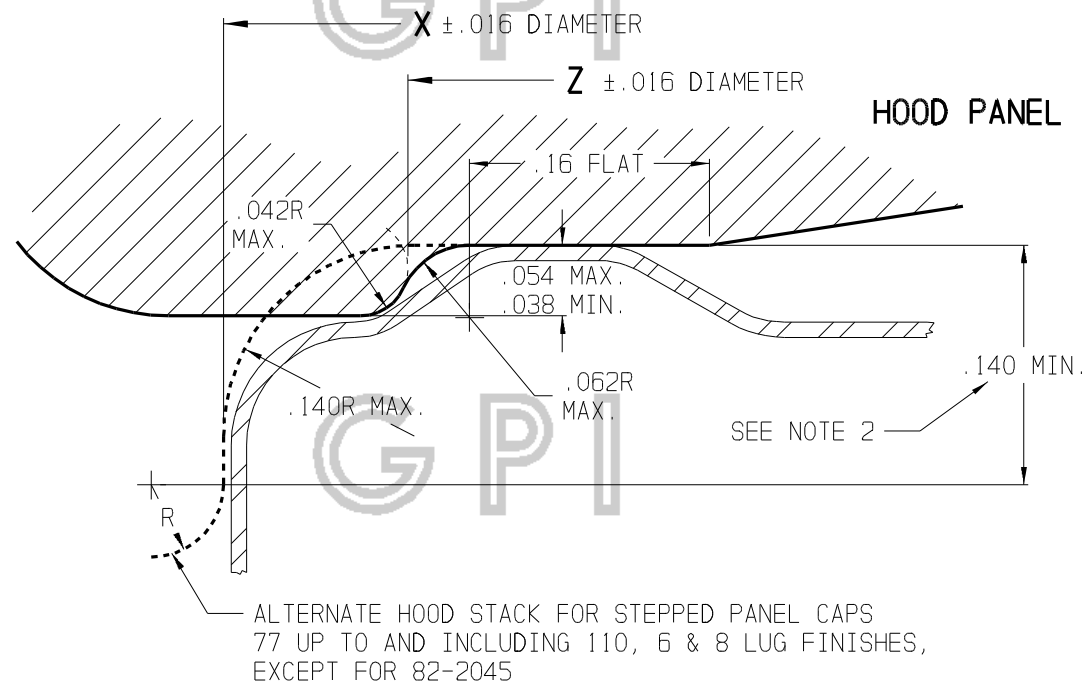
BEAD STACKER



HOOD STACKER



HOOD PANEL STACKER



G P I

G P I

G P I

FINISH	BEAD Y ± .016	HOOD X ± .016	HOOD PANEL Z ± .016
43-2010	1.042		
48-2010	1.226	1.980	
53-2020	1.530	2.235	
58-2020	1.666	2.389	
63-2030	1.911	2.634	
63-2035	1.911	2.634	
66-2030	2.024	2.747	
66-2035	2.024	2.747	
70-2030	2.182	2.907	
70-2035	2.182	2.907	
77-2030	2.445	3.169	
77-2040	2.445	3.169	2.929
82-2040	2.632	3.370	3.130
82-2045	2.632	3.370	3.130
89-2050	2.940	3.669	3.429
100-2055	3.274	4.090	
110-2070	3.716	4.476	4.235

1. BOTTOM PLATE LETTERING MUST BE POSITIONED SO AS NOT TO INTERFERE WITH CLOSURE.
2. THE .140 MIN. MUST BE MAINTAINED WHEN THIS TYPE OF CONSTRUCTION IS USED WITH 77 UP TO AND INCLUDING 110mm 6&8 LUG FINISHES, EXCEPT FOR 82-2045.

THIS OFFICIAL GLASS PACKAGING INSTITUTE PRINT CONSTITUTES ONE IN A SERIES OF VOLUNTARY STANDARDS INTENDED TO PROVIDE A BASIS FOR ACHIEVING COMPATIBILITY AND INTERCHANGEABILITY BETWEEN MANUFACTURERS AND USERS OF GLASS CONTAINERS AND CLOSURES THEREFOR. THE USER SHOULD BE AWARE THAT OTHER CONTAINER AND CLOSURE DESIGNS MAY DIFFER FROM THIS VOLUNTARY STANDARD, AND IT IS THE USER'S RESPONSIBILITY TO MAKE THE FINAL DETERMINATION AS TO DESIGN AND COMPATIBILITY. GPI ASSUMES NO RESPONSIBILITY FOR EITHER THE USE OF OR INTERPRETATION OF THE STANDARD, FOR IT BEING CURRENT, OR FOR THE DETERMINATION WHETHER ANY PARTICULAR MANUFACTURER'S PRODUCT CONFORMS TO THE STANDARD. THIS DRAWING CONTAINS INFORMATION TAKEN FROM ONE OR MORE PRINTS OF THE GLASS PACKAGING INSTITUTE (GPI). GPI OWNS ALL RIGHT, TITLE AND INTEREST IN THE COPYRIGHTS TO THIS DRAWING AND TO THESE PRINTS. GPI REQUIRES THAT YOU NOT REPRODUCE THIS DRAWING FOR OR DISTRIBUTE THIS DRAWING TO ANY THIRD PARTY WITHOUT GPI'S WRITTEN CONSENT. ANY INQUIRIES OR SUGGESTIONS CONCERNING THIS STANDARD CAN BE ADDRESSED TO THE GLASS PACKAGING INSTITUTE, WASHINGTON D.C. AT WWW.GPI.ORG.

COPYRIGHT © GPI 1989, 2001, 2002

Edward A. Grant CHAIRMAN	PRINTED AND DISTRIBUTED AS A VOLUNTARY STANDARD BY GLASS PACKAGING INSTITUTE COMMITTEE ON DESIGN AND SPECIFICATIONS	APPROVED FOR PUBLICATION 3-13-02	SUPERSEDES DWG. NO. C-604
GLASS CONTAINER SERIES 6		GPI DWG. NO.	
RECOMMENDED DESIGNS FOR VACUUM LUG FINISH STACKER BOTTOMS		C-605	