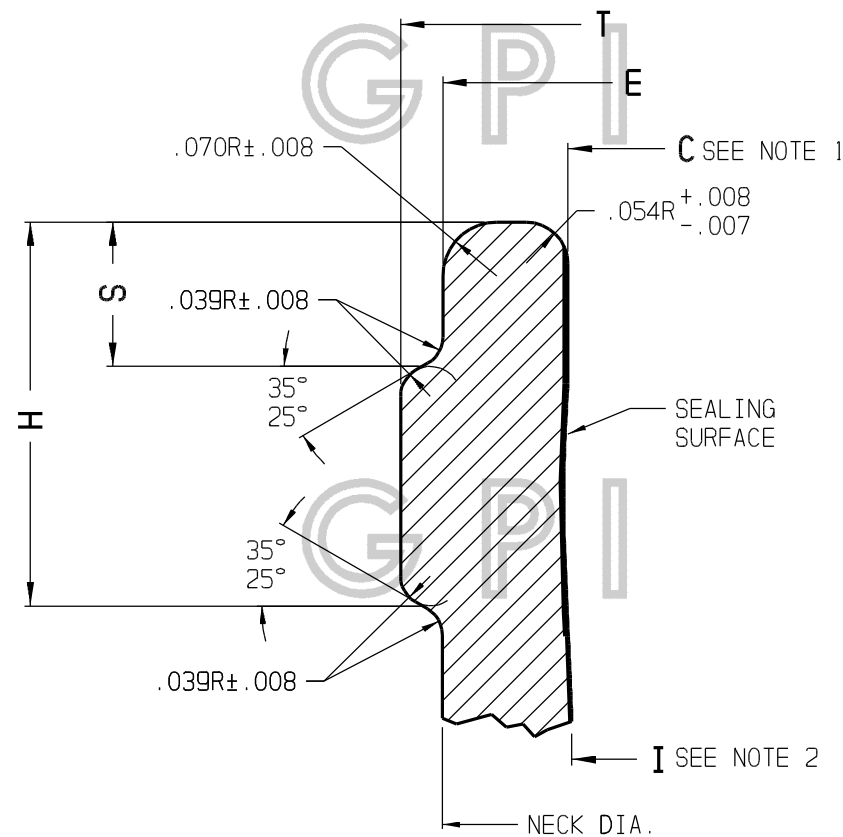


SIZE	NECK DIA.	T	E	C	H	S
28	1.000	1.109 <sup>+0.013</sup> / <sub>-.012</sub>	0.999 <sup>+0.013</sup> / <sub>-.012</sub>	0.673 ± .014	0.500	0.188
30	1.063	1.172 <sup>+0.013</sup> / <sub>-.012</sub>	1.062 <sup>+0.013</sup> / <sub>-.012</sub>	0.673 ± .014	0.500	0.188
30-A	1.063	1.172 <sup>+0.013</sup> / <sub>-.012</sub>	1.062 <sup>+0.013</sup> / <sub>-.012</sub>	0.736 ± .014	0.500	0.188
32	1.125	1.219 ± .020	1.125 ± .020	0.736 ± .014	0.563	0.203

- 'C' DIMENSION CONTROLS CORK FIT AND IS MEASURED .188 DOWN FROM TOP OF FINISH. IT IS DESIRABLE FOR GOOD CORK FIT TO CONTROL OPENING BELOW THIS POINT TO BE EQUAL TO OR SLIGHTLY GREATER THAN THE SMALLEST OPENING ABOVE.
- 'I' DIMENSION OR THROAT OPENING MEASURED THROUGH FULL LENGTH OF GLASS FINISH DEPENDS UPON TYPE AND SIZE OF FILLING TUBES EMPLOYED.



SECTION Y-Y



SIZE	CORK NUMBER	CORK MEAN DIA.	INSERTED CORK LENGTH
28	#8 STRAIGHT	0.875	1.500 TO 2.000
30	#8 STRAIGHT	0.875	1.500 TO 2.000
30-A	#9 STRAIGHT	0.938	1.500 TO 2.000
32	#9 STRAIGHT	0.938	1.500 TO 2.000

THIS OFFICIAL GLASS PACKAGING INSTITUTE PRINT CONSTITUTES ONE IN A SERIES OF VOLUNTARY STANDARDS INTENDED TO PROVIDE A BASIS FOR ACHIEVING COMPATIBILITY AND INTERCHANGEABILITY BETWEEN MANUFACTURERS AND USERS OF GLASS CONTAINERS AND CLOSURES THEREFOR. THE USER SHOULD BE AWARE THAT OTHER CONTAINER AND CLOSURE DESIGNS MAY DIFFER FROM THIS VOLUNTARY STANDARD, AND IT IS THE USER'S RESPONSIBILITY TO MAKE THE FINAL DETERMINATION AS TO DESIGN AND COMPATIBILITY. GPI ASSUMES NO RESPONSIBILITY FOR EITHER THE USE OF OR INTERPRETATION OF THE STANDARD, FOR IT BEING CURRENT, OR FOR THE DETERMINATION WHETHER ANY PARTICULAR MANUFACTURER'S PRODUCT CONFORMS TO THE STANDARD. THIS DRAWING CONTAINS INFORMATION TAKEN FROM ONE OR MORE PRINTS OF THE GLASS PACKAGING INSTITUTE (GPI). GPI OWNS ALL RIGHT, TITLE AND INTEREST IN THE COPYRIGHTS TO THIS DRAWING AND TO THESE PRINTS. GPI REQUIRES THAT YOU NOT REPRODUCE THIS DRAWING FOR OR DISTRIBUTE THIS DRAWING TO ANY THIRD PARTY WITHOUT GPI'S WRITTEN CONSENT. ANY INQUIRIES OR SUGGESTIONS CONCERNING THIS STANDARD CAN BE ADDRESSED TO THE GLASS PACKAGING INSTITUTE, WASHINGTON D.C. AT WWW.GPI.ORG.

COPYRIGHT © GPI 1995, 1999

Edward A. Grant CHAIRMAN	PRINTED AND DISTRIBUTED AS A VOLUNTARY STANDARD BY <b>GLASS PACKAGING INSTITUTE</b> COMMITTEE ON DESIGN AND SPECIFICATIONS	APPROVED FOR PUBLICATION 01-15-99	SUPERSEDES DWG. NO. 31108
GLASS FINISH NUMBER <b>3110</b>		GPI DWG. NO.	
SAUTERNE OR COGNAC GLASS FINISH		<b>31109</b>	